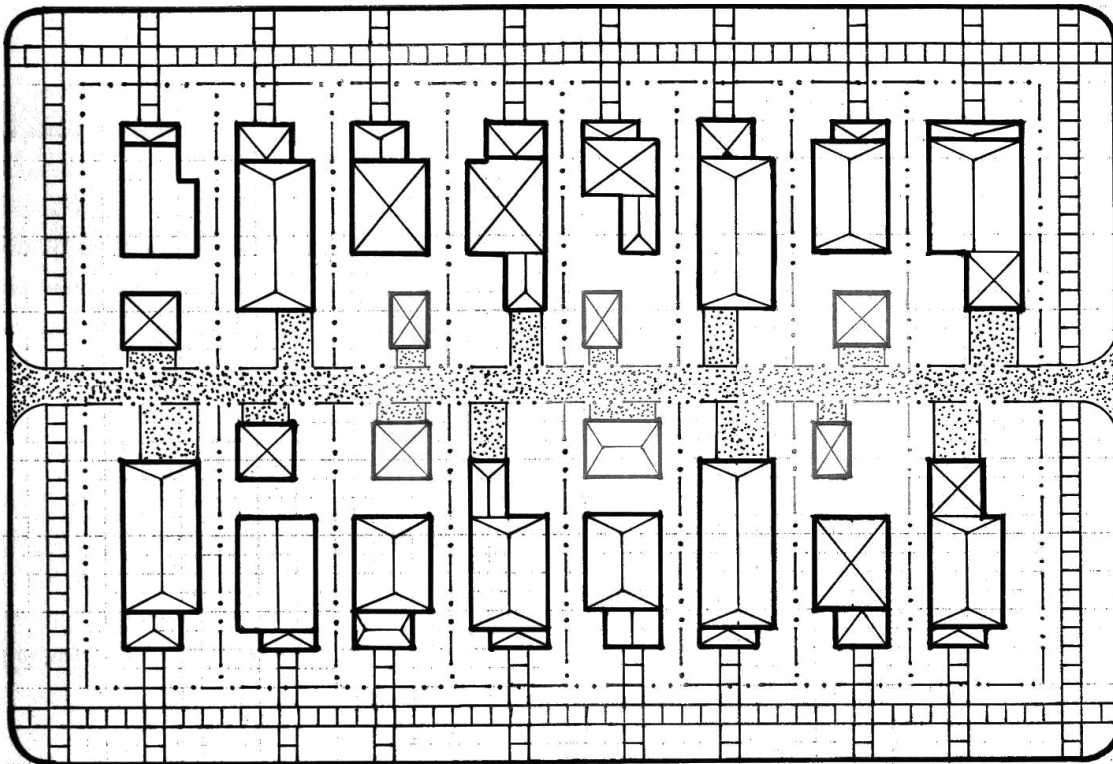


SECTION 16.20.010. - NEIGHBORHOOD TRADITIONAL SINGLE-FAMILY DISTRICTS ("NT")



Typical Houses in a Neighborhood Traditional District



Typical Block in a Neighborhood Traditional District

Common features of these districts include:

- Narrow rectangular lots facing the avenue.
- Houses built toward the front of the lot with reduced setbacks.
- Front porches and primary entrances facing the avenue.
- Sidewalk connections leading to the public sidewalk and the street.
- Vehicular access from the rear alley instead of driveways in front yards.
- Recognized architectural styles with consistent and appropriate materials.

16.20.010.1. - History and composition of traditional neighborhoods.

Generally, the traditional neighborhoods of the City were platted between the incorporation of the City and the mid-1920's, before multi-car households became common and when most people walked or rode public transportation. As such, these neighborhoods feature streets and buildings oriented to the needs of pedestrians rather than to the needs of cars.

Lots in traditional neighborhoods are narrow compared to lots in suburban neighborhoods. Traditional lot widths typically range between 45 and 60 feet. Widths in excess of 60 feet exist in certain areas, but are relatively rare. Sidewalks are provided along all sides of blocks and on both sides of the street.

The homes in traditional neighborhoods were typically constructed prior to 1950 and exhibit architecture of the early 20th Century. Buildings typically feature vertically-oriented architecture and were constructed close to the street. Front doors face the street and are enhanced with architecturally appropriate features. Front porches or stoops are common and add emphasis and visual interest to the primary entrance. Side and rear yard setbacks are minimal. Building heights typically do not exceed 24 feet. Buildings include a variety of roof designs such as gable, hip, and gambrel. The upper portions of taller buildings typically taper or step back from the property lines.

Alleyways are the primary means of providing areas for utilities and access to off-street parking to the rear of the properties. Driveways and garages in front yards are not typical in most traditional neighborhoods.

While traditional neighborhoods are primarily characterized by single-family residential structures, house sizes and types are varied. Small apartment buildings and ancillary dwelling units, such as garage apartments, are sprinkled throughout many of these areas. The diverse housing opportunities allow for persons in different stages of life and at different income levels to enjoy the same neighborhood. Residents can remain in the same neighborhood throughout their lives, even though an individual's housing needs and preferences may change (lifecycle housing). There are also several remaining corner stores located within the heart of some traditional neighborhoods. Historically, these small stores provided basic goods and services to residents within walking distance.

16.20.010.2. - Purpose and intent.

The purpose of the NT district regulations is to protect the traditional single-family character of these neighborhoods, while permitting rehabilitation, improvement and redevelopment in a manner that is consistent with the scale of the neighborhood. The standards for each of the NT districts are intended to reflect and reinforce their unique character. Street standards are intended to preserve the alley system as a mechanism to provide limited access for parking and utility functions in the rear of the site.

16.20.010.3. - Permitted uses.

Uses in these districts shall be allowed as provided in the Matrix: Use Permissions and Parking Requirements.

16.20.010.3.1. Preservation of single-family character.

NT districts are primarily single-family in character. While some NT districts allow accessory units or limited neighborhood-scale mixed uses, the character and context along the street should reinforce the pattern of a traditional single-family neighborhood. Generally, duplex and multifamily buildings are prohibited. Some multifamily uses are existing and grandfathered.

16.20.010.3.2. Grandfathered units. (See use matrix.)

Multifamily units were built in many traditional neighborhoods to accommodate the winter tourist industry in the first half of the 20th Century. These units provide a diversity of housing stock which enriches the neighborhood and provides lifecycle housing. Renovation and revitalization of these units can create a highly desirable amenity within the neighborhood and is an ideal way of providing workforce-housing units. Restoration of these resources is desirable over replacement. Special approval may be required to redevelop these uses as established by the process in the application and procedures section. Replacement construction should be consistent with the development pattern and architectural context of the neighborhood.

16.20.010.4. - Introduction to NT districts.

The NT districts are the NT-1, NT-2, NT-3 and NT-4 districts. The standards for the NT districts are intended to allow for redevelopment of the traditional neighborhoods with modern amenities, while respecting the existing development pattern and unique character of these areas.

16.20.010.4.1. Neighborhood Traditional Single-Family-1 (NT-1).

In the NT-1 district, single-family homes are the primary intended use. Accessory dwelling units, such as garage apartments, are allowed, subject to compliance with standards regulating minimum lot size, building setbacks, parking and other applicable requirements. The design guidelines are intended to ensure compatibility with the existing character and pattern of these neighborhoods by requiring compatible building design and limiting the locations of driveways to certain areas of the property.



Typical Single-Family Homes within the NT-1 District

16.20.010.4.2. Neighborhood Traditional Single-Family-2 (NT-2).

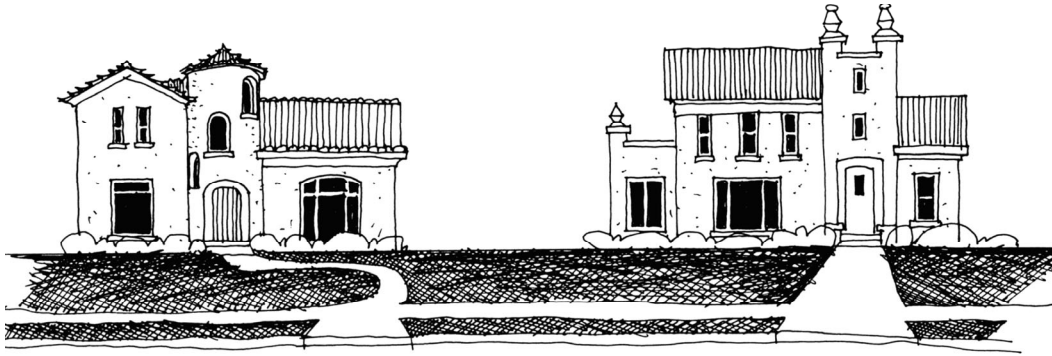
The NT-2 district generally includes neighborhoods already developed by the end of the 1920s. These areas typically exhibit a higher degree of architectural legacy and have a well-developed network of alleys. Allowable uses and standards are similar to the NT-1 district. Site layout and architectural detailing is emphasized to preserve and reinforce the existing development pattern. Driveways, garages, and utility uses are limited to the rear of the property.



Typical Single-Family Homes within the NT-2 District

16.20.010.4.3. Neighborhood Traditional Single-Family-3 (NT-3).

The NT-3 district reflects the character of several traditions. Lot widths are larger, ranging between 60 and 65 feet. These areas are typically adjacent to large public parks utilized for numerous City-wide events generating large crowds, high volumes of traffic and other disruptions not typical for most neighborhoods. The architectural legacy and alley network are similar to NT-2 areas. The development pattern typically features greater front and side yard building setbacks than the NT-2 district. The NT-3 district generally allows the same uses as NT-1 and NT-2, with the exception that accessory dwelling units, such as garage apartments, are not permitted.



Typical Single-Family Homes within the NT-3 District

16.20.010.4.4. Neighborhood Traditional Mixed Use (NT-4).

The NT-4 district recognizes the small pockets of traditional mixed-use development in certain areas. Historically, these were neighborhood-scale corner stores and restaurants on the first floor with apartments above. These uses typically exist at the intersections of busier residential streets or around public parks. Storefronts are close to the street with loading and parking areas to the rear. The design of the buildings is compatible with the scale and architecture of the surrounding neighborhood and signage is minimal.



Typical Row of Mixed Uses within the NT-4 District

16.20.010.5. - Maximum development potential.

Development potential is different within each district in order to respect the character of the neighborhoods. Achieving maximum development potential will depend upon market forces, such as minimum desirable unit size, and development standards, such as minimum lot size, parking requirements, height restrictions, floor area ratios, maximum building and impervious surface ratios, and building setbacks.

To maintain community character and provide for desirable redevelopment and infill housing, homes shall be built using FARs as set forth herein. Various design standards may be used to increase the FAR and maintain the compatibility of new and modified homes with the existing neighborhood character. Therefore a maximum FAR is established and FAR bonuses may be permitted if the home incorporates design elements as set forth herein which are intended to be beneficial to the character of the neighborhood and reduce the appearance of mass and bulk from the public view.

Minimum Lot Size, Maximum Density and Maximum Intensity

		NT-1	NT-2	NT-3	NT-4
Minimum Lot Width	Residential	45 ft.	50 ft.	60 ft.	45 ft.
	Nonresidential	180 ft.	200 ft.	240 ft.	180 ft.
Minimum Lot Area (square feet)	Residential	4,500	5,800	7,620	5,800
	Nonresidential	22,860	25,400	30,480	22,860
Maximum Residential Density (units per acre)		15 (1 principal unit and 1 accessory unit per lot) ⁽¹⁾	15 (1 principal unit and 1 accessory unit per lot) ⁽¹⁾	7 (1 principal unit and 1 accessory unit per lot) ⁽¹⁾	15 (1 principal unit and 1 accessory unit per lot) ⁽¹⁾
Maximum Residential Intensity (floor area ratio) ^{(2) (3)}		0.50	0.40	0.40	0.50
Maximum Nonresidential Intensity (floor area ratio)		0.50	0.50	0.40	0.85
Maximum Residential Building Coverage (includes all enclosed structures) except where the primary structure is one story then a 0.60 building coverage is allowed		0.55	0.55	0.55	0.55
Maximum Impervious Surface (site area ratio)	Residential	0.65	0.65	0.65	0.65
	Nonresidential	0.55	0.55	0.55	0.55

(1) Refer to use specific development standards for regulations regarding development of accessory dwelling and accessory living space.

(2) Residential Floor Area Ratio Exemption. The FAR includes any enclosed space above the required design flood elevation line, including enclosed garage space, but excludes that portion of the enclosed space that is below the required design flood elevation and up to 500 sf of the floor area of any detached accessory dwelling unit.

- (3) Residential Floor Area Ratio Bonus. An FAR bonus of up to 0.20 shall be granted when structures incorporate design elements set forth herein. The following options may be utilized in any combination, however, the maximum FAR bonus is 0.20.
- a. One story covered front porch with a separate roof structure with a minimum width of 60% of the front façade: 0.08 bonus. No bonus is allowed if there is a second story deck, porch or roof structure.
 - b. Additional second story front setbacks: .01 bonus for every 1 foot of additional front setback of the entire facade, and .005 bonus for every 1 foot of additional front setback of at least one third of the facade but which is less than the entire facade, no bonus is allowed unless the setback is at least six feet, maximum 0.10 bonus. No bonus is allowed if there is a second story deck, porch or roof structure.
 - c. Additional second story side setbacks: .01 bonus for every 1 foot of additional side setback of the entire façade, maximum 0.05 bonus per side.
 - d. Total residential floor area of the second story does not exceed 75% of the first story (excludes garage sf): 0.05 bonus.
 - e. Reduction of the height of both the peak and roofline of a two story building from the maximum allowed height: 0.02 bonus per foot, maximum 0.06.
 - f. The entire peak of the primary roof structure of the front façade is parallel to the front property line: bonus 0.02, or if the entire peak of the primary roof structure of the front façade is parallel to the front property line and the roof has dormer(s) which are equal to at least 20% of the width of the front façade: 0.04 bonus.
 - g. Side façade articulation: side facades which feature offsets of at least two feet in depth that are at least twelve feet in length that divide the building design and are in the front two thirds of the side facade: 0.02 bonus per side, maximum 0.04.
 - h. Front facade articulation: front facades (excluding the porch) which feature offsets of at least six feet in depth for a minimum of one third of the front façade, 0.06 bonus for each additional foot, maximum 0.10.
 - i. All windows have true or simulated divided light muntins on interior and exterior surfaces: 0.03 bonus.
 - j. One story - principal structure: 0.15 bonus.
 - k. One story - all structures: 0.20 bonus.
 - l. Style, materials and detailing consistent with an Architectural Style in St. Petersburg's Design Guidelines for Historic Properties: 0.10 bonus.
 - m. Planting of larger shade trees between the front façade and the curb - 4" min caliper measured 6" above grade, Spread 8" - 10", Height 14-ft to 16-ft, 100 gallon container grown: 0.01 bonus per tree, maximum 0.02 bonus.
 - n. LEED or Florida Green Building Coalition Certification: 0.05 bonus.
 - o. Solar Ready: 0.02 bonus.

Refer to technical standards regarding measurement of lot dimensions, calculation of maximum residential density, nonresidential floor area and impervious surface. For mixed use developments, refer to additional regulations within the use specific development standards section for mixed uses (currently section 16.50.200).

16.20.010.6. - Building envelope: Maximum height and minimum setbacks.

Building Height	Beginning of Roofline	Top of Roof Peak
Primary building	24 ft.	36 ft.
Accessory building	20 ft.	30 ft.
Refer to technical standards regarding measurement of building height and height encroachments.		



Minimum Building Setbacks

Building Setbacks		NT-1 and 2			NT-3		NT-4	
		If building height is up to 18 ft.	If building height is +18 ft. to 24 ft.	If building height is over 24 ft.	If building height is up to 24 ft.	If building height is over 24 ft.	If building height is up to 24 ft.	If building height is over 24 ft.
Front yard	Stoop	15 ft. or M	15 ft. or M	35 ft.	20 ft. or M	40 ft.	9 ft. or M	28 ft.
	Open Porch ⁽¹⁾	18 ft. or M	18 ft. or M	35 ft.	23 ft. or M	40 ft.	12 ft. or M	28 ft.
	Building	25 ft. or M	25 ft. or M	35 ft.	30 ft. or M	40 ft.	18 ft. or M	28 ft.
Interior side yard	For lots greater than 60 ft. in width	6 ft. or M	6 ft. or M	12 ft.	7.5 ft. or M	16 ft.	5 ft. or M	10 ft.
	For lots equal to or less than 60 ft.	10 percent of lot width ⁽²⁾	6 ft. or M	12 ft.	7.5 ft. or M	16 ft.	5 ft. or M	10 ft.
Street side yard		12 ft. or M	12 ft. or M	16 ft.	15 ft. or M	22 ft.	8 ft. or M	15 ft.
Rear yard, with alley	For alleys equal to or greater than 16 ft. in width	6 ft. or M	6 ft. or M	20 ft.	6 ft. or M	20 ft.	5 ft. or M	20 ft.
	For alleys less than 16 ft. in width	10 ft., or 22 feet including the width of the alley, whichever is less, or M	10 ft., or 22 feet including the width of the alley, whichever is less, or M	20 ft.	10 ft., or 22 feet including the width of the alley, whichever is less, or M	20 ft.	8 ft., or 22 feet including the width of the alley, whichever is less, or M	20 ft.
Rear yard, no alley		10 ft. or M	10 ft. or M	30 ft.	10 ft. or M	30 ft.	10 ft. or M	30 ft.
Waterfront yard		20 ft.	20 ft.	20 ft.	20 ft.	20 ft.	20 ft. ft.	20 ft.

Notes:

(1) Open porches are limited to a one story covered porch with or without a second story uncovered porch; two story covered porches shall meet the principal structure setback.

(2) For properties that are 50 feet or less in width, the minimum side yard building setback shall be 5 feet.

M (minor encroachment): Minor encroachments into normally prescribed setbacks may be allowed in order to accommodate an addition to align with the side of the existing structure, provided:

- (a) The total floor area of the encroaching portion of an addition shall not exceed 50 square feet;
- (b) No portion of the encroachment shall exceed 24 feet in height;
- (c) In no case shall any encroaching structure be closer to a property line than four feet.

Refer to the Dimensional Regulations and Lot Characteristics and Height, Maximum Allowable and Encroachments Sections (currently 16.60.010 and 020) for yard types and setback encroachments.

Enclosing porches in the front yard setback is regulated by the general development standards.

The larger of the minimum building separation distances required by the Florida Building Code or the fire prevention code or the minimum building setback established for the interior side yard setback shall apply; Building setbacks are based on the overall height of the various sections of a proposed building. As the building height increases, so does the minimum required setback.



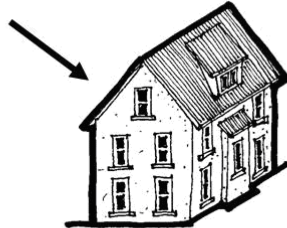
Minimum Building Setbacks for SE Uses

Building Setbacks SE Uses	NT-1 and 2	NT-3	NT-4
All yards (including waterfront)	35 ft.	35 ft.	35 ft.
Refer to technical standards for yard types.			

16.20.010.7. - Roof lines and slopes.

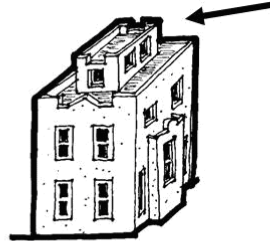
Required building setbacks increase above 24 feet in height except for towers, turrets, and dormers as provided herein. At 24 feet or below, a cornice line shall be provided and the roofline shall begin. The roof slope shall not exceed 45 degrees (12:12 pitch). The roof peak shall not exceed the maximum height of 36 feet. If a sloped roof is not characteristic of the design style, the wall shall be accentuated with a cornice line at or below 24 feet in height.

PORTIONS
OF BUILD-
INGS ABOVE
24 FEET
MUST BE
CONTAINED
WITHIN A
ROOF



SLOPED ROOFED STRUCTURES

PORTIONS
OF BUILD-
INGS ABOVE
24 FEET
MUST MEET
ADDITIONAL
SETBACKS

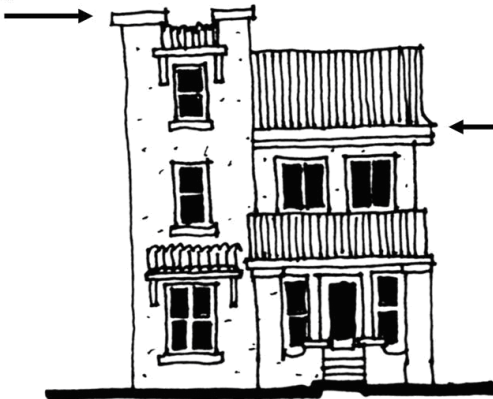


FLAT ROOFED STRUCTURES

16.20.010.8. - Towers and turrets.

Many architectural styles feature towers and turrets. A tower or a turret may exceed the roof slope, provided no horizontal wall dimension exceeds 16 feet and for a tower or turret with a non-straight (or rounded) wall, this dimension shall be calculated using the smallest rectangle which will enclose the wall.

TOWER
HEIGHT TO
36 FEET



EAVE
HEIGHT
MAXIMUM 24
FEET

16.20.010.9. - Dormers.

Many architectural styles feature dormers. A dormer may exceed the roof slope above 24 feet, provided the width of the dormer wall or the total width of the dormer walls, if more than one dormer, shall not exceed 50 percent of the roof width, or 16 feet of width, whichever is less. Dormers shall be compatible with the chosen architectural style



ACCEPTABLE



ACCEPTABLE



NOT ACCEPTABLE

16.20.010.10. - Setbacks and FAR consistent with established neighborhood patterns.

There are building setback and FAR characteristics of existing neighborhoods related to front yard setbacks, FAR, and alignment of buildings along the block face. Minimum yard setback and FAR characteristics of neighborhoods may differ from the requirements of this district. The POD may approve, without a variance, residential development that meets these setback and FAR characteristics. Approval shall be based on the following:

1. Front yard setbacks will be based on predominant building setbacks established in the block in which the development is proposed.
2. FAR will be based on predominant building FAR established in the block in which the development is proposed based on the Property Appraisers Records.
3. Predominant shall mean equal to or greater than 50%.
4. These are administrative approvals appealable only by the property owner.

16.20.010.11. - Building and site design.

The following design criteria allow the property owner and design professional to choose their preferred architectural style, building form, scale and massing, while creating a framework for good urban design practices which create a positive experience for the pedestrian.

Site layout and orientation. The City is committed to creating and preserving a network of linkages for pedestrians. Consequently, pedestrian and vehicle connections between public rights-of-way and private property are subject to a hierarchy of transportation, which begins with the pedestrian.

Building layout and orientation.

1. For nonresidential uses, all service areas and loading docks shall be located behind the front facade line of the principal structure.
2. All mechanical equipment and utility functions (e.g. electrical conduits, meters and HVAC equipment) shall be located behind the front façade line of the principal structure. Mechanical equipment that is visible from the primary street shall be screened with a material that is compatible with the architecture of the principal structure.
3. Accessory structures (including sheds) shall be located behind the front façade line of the principal structure.

Vehicle connections and parking.

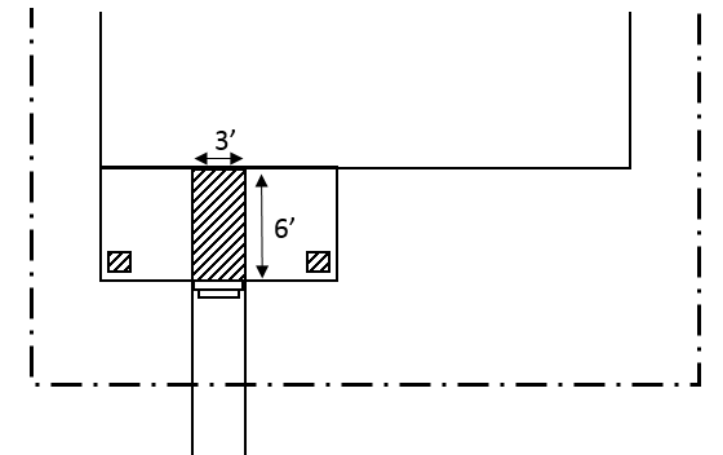
1. The following vehicle connection regulations are required for properties located within NT-2, NT-3 or NT-4 and are recommended for properties located within NT-1. Access for new garages and driveways shall be designed to take advantage of the first available alternative in the following prioritized list:
 - a. Driveways and garage doors shall face the alley;
 - b. Where no alley exists, driveways and garage doors shall face the side street and shall be restricted to the rear one-third of the lot;
 - c. Where access via the rear third of the lot is not possible and/or the alley is unable to be traversed with a vehicle due to physical obstructions or barriers, driveways and garage doors shall be permitted within the front two-thirds of the lot facing the side street;
 - d. In the absence of an alley and a side street, a single lane width curb cut and driveway shall be allowed which shall be located to the side of the principal structure. Required parking shall be allowed only behind the front façade line of the principal structure, including the porch, if any.


2. When a driveway is allowed in the front yard, not more than one curb cut shall be allowed for each property except as follows:
 - a. Where the property is abutting a major street identified on the Future Major Streets Map within the Comprehensive Plan; and
 - b. Where in accordance with the access requirements of this section, the only available access point is from the major street; and
 - c. Where a circular driveway and second curb cut is necessary to permit vehicles to enter and exit the major street in a forward motion. Pursuant to this section, a second curb cut shall only be approved for the purpose of improved traffic safety and shall not be approved for other ancillary uses, such as access to accessory parking spaces or the maneuvering of domestic equipment.

Porches and Pedestrian connections.

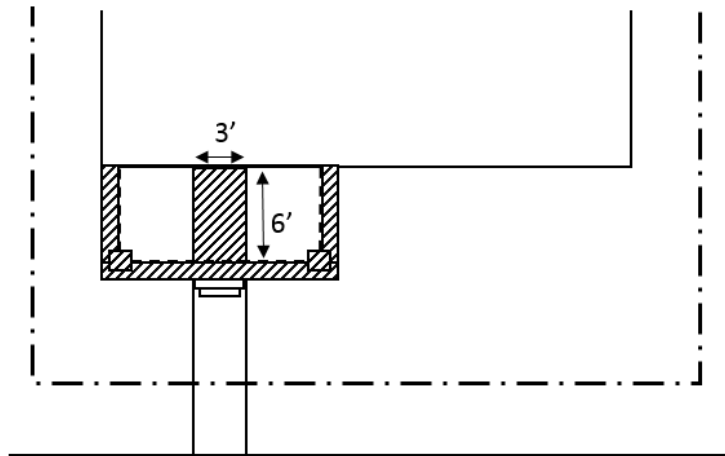
1. Principal entries to a structure shall be connected to the public sidewalk and the curb of the primary street with a sidewalk except when the structure faces a major street which does not allow on-street parking in front of the property.
2. Where a driveway exists in the legal front yard, the required sidewalk from the principal entry may be connected to the driveway in lieu of the connection to the street.
3. Principal entries shall include a porch, portico or stoop, with a minimum usable depth of six feet (measured from the front façade of the structure to the interior side of the railing or, if there is no railing, the furthest edge of the floor) and 48 square feet of total floor area, excluding a 3-foot wide walkway to the primary entrance and the floor area of any column. Where a railing exists, only the floor area within the interior side of the railing shall count towards the minimum floor area.
4. Existing public sidewalks shall be repaired to City standards. Where no public sidewalk exists, a public sidewalk shall be constructed in accordance with the requirements of the subdivision section.


**Porch Dimension Requirement:
Example without Railing**



 This area excluded from the minimum floor area requirement of 48 sq ft

Porch Dimension Requirement: Example with Railing

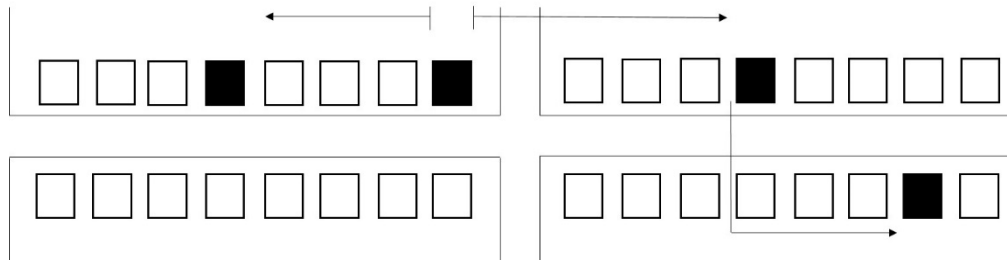


 This area excluded from the minimum floor area requirement of 48 sq ft

Building and architectural design standards. All buildings should present an inviting, human scale facade to the streets, internal drives, parking areas and surrounding neighborhoods. The architectural elements of a building should give it character, richness and visual interest.

Building style.

1. New construction shall utilize an identifiable architectural style which is recognized by design professionals as having a basis in academic architectural design philosophies. See Architectural and Building Design Section, currently Section 16.40.020.
2. Design of homes on the same block face on either side of the street or within an adjacent block face on either side of the street shall be varied, such that a substantially similar design will not be replicated. There shall be a minimum separation of three parcels in every direction before a substantially similar design can be repeated. Variation shall include at least three of the following elements: architectural style, roof form (principal or porch), materials, architectural details (doors, windows, columns, porches).



3. Renovations, additions and accessory structures shall utilize the architectural style of the existing structure, or the entire existing structure shall be modified to utilize an identifiable architectural style which is recognized by design professionals as having a basis in academic architectural design philosophies.

Building form.

1. The front porch shall be elevated at least 12 inches above the abutting finished grade level as measured abutting the porch at the front entry. For Certified Affordable/Workforce Housing, the required minimum elevation shall be 8-inches, and the pedestrian walkway at the entrance may be graded to allow zero step entrance in accordance with the City Visitability ordinance, provided that all other areas of the porch meet the 8-inch minimum above the abutting finished grade.
2. The front façade of a building shall create a width-to-height ratio of no more than 1:1. Buildings that exceed the width-to-height ratio of 1:1 shall feature architectural fenestration creating a bay system that divides the building design into a maximum ratio of 1:1. This may be done through pilasters, arcades, building line and roof line off-sets, materials and other appropriate architectural features.

Wall composition and transparency. Wall composition standards ensure that ground-level storefronts and multifamily and single-family residential buildings offer attractive features to the pedestrian. Wall composition standards also mitigate blank walls and ensure that all sides of a building have visual interest. Transparency enhances visual connections between activities inside and outside buildings, thereby improving pedestrian safety. The following criteria shall not apply to accessory structures.

1. Doors, windows and other appropriate fenestration, architectural details and features shall be incorporated into all sides of a building. There shall be no blank facades, except that garages located at the rear one-third of the lot may have blank facades but not on the street side. No portion of a facade shall contain a blank area greater than 16 feet in width.
2. At least 30 percent of primary and secondary street facades shall consist of fenestration or architectural details and features. At least 20 percent of the front two-thirds of interior side façades shall consist of fenestration or architectural details and features. At least 10 percent of the rear façade on corner lots and through lots shall consist of fenestration or architectural details and features. At least 50 percent of the required fenestration shall be transparent (i.e., window glass). For Certified Affordable/Workforce Housing, the primary and secondary street facades minimum shall be 20 percent and the interior side yard facade minimum shall be 15 percent.

For yards on through-lots see the Dimensional Regulations and Lot Characteristics Section.

3. Structures which are situated on corner lots, through lots, or, by the nature of the site layout have a facade which is clearly visible from rights-of-way, shall be designed with full architectural treatment on all sides visible from rights-of-way. Full architectural treatment shall include roof design, wall materials, trim, and door and window openings. While it is recognized that buildings have primary and secondary facades, the construction materials and detailing should be similar throughout. Windows on the street side facades shall be evenly distributed in a consistent pattern, unless a different proportion is permitted or required by an identifiable architectural style.
4. Window sashes and glass shall be square or vertical, unless a different proportion is permitted or required by an identifiable architectural style.
5. Windows shall not be flush mounted. Windows recessed less than three inches shall feature architectural trim including a header, sill and side trim or decorative shutters. Windows recessed three inches or more shall feature a window sill. Trim is not required if not consistent with the architectural style, i.e. Modern or Mediterranean Revival.
6. Where the required design elevation is equal to or greater than 48" above finished grade, an articulated base is required to delineate the first floor level. The base may consist of a different material or decorative band, depending on the architectural style.

Roofs. Rooflines add visual interest to the streetscape and establish a sense of continuity between adjacent buildings. When used properly, rooflines can help distinguish between residential and commercial land uses, reduce the mass of large structures, emphasize entrances, and provide shade and shelter for pedestrians.

1. Buildings shall provide a pitched roof or a flat roof with a decorative parapet wall compatible with the architectural style of the building.

Garages. Garage standards maintain and enhance the attractiveness of the streetscape and are influenced by a hierarchy of transportation, which begins with the pedestrian. The requirements relating to garage doors do not apply to garage doors facing alleys.

1. Garage doors facing the primary street:
 - a. Shall be located at least ten feet behind the front façade line of the principal structure. In the NT-1, NT-2 and NT-4 districts, this distance shall be measured from the front of the front porch, if any.
 - b. Shall not exceed 40 percent of the linear frontage of the façade of the principal structure and shall have decorative garage doors. Decorative garage doors shall include raised panels with decorative hardware and/or glazing, or other designs approved by the POD which serve to visually break up a blank door.
2. Garage doors facing a non-primary side street, where adjoining side yard abuts another property's front yard:
 - a. Shall be one or two single bay garage doors. Double garage bay doors are prohibited.
 - b. Shall not exceed 40 percent of the linear frontage of the facade of the principal structure.
 - c. Shall be decorative garage doors or feature at least one of the following enhancements: an arbor system surrounding the garage doors, or a projecting balcony, cupola, or other decorative element above the garage to lessen the impact of the vehicular orientation of the house. The decorative feature proposed by the applicant shall be compatible with the principal structure and must be approved by the POD. This decision may only be appealed by the property owner.

Building materials. Building material standards protect neighboring properties by holding the building's value longer, thereby creating a greater resale value and stabilizing the value of neighboring properties.

1. Building materials shall be appropriate to the selected architectural style and shall be consistent throughout the structure except for one story covered patios or screen enclosures located at least ten feet behind the front façade of the principal structure. If multiple materials are used in a building façade, the visually heavier materials shall be located below the lighter materials, e.g. brick or stone shall be located below stucco or siding materials, unless they are used as architectural features.

Accessory structures and ancillary equipment and carports. Accessory structures shall reinforce the pedestrian character of the City. Above-ground utility and service features, accessory storage structures, and carports shall be located and designed to reduce their visual impact upon the streetscape. See Use Specific Standards for Accessory Structures.

1. Detached accessory structures, such as garages and garage apartments shall be consistent with the architectural style, materials, and color of the principal structure. For multi-story buildings, no portion of an exterior wall on any floor may contain a blank area greater than 16-feet in width except as allowed herein for garages.